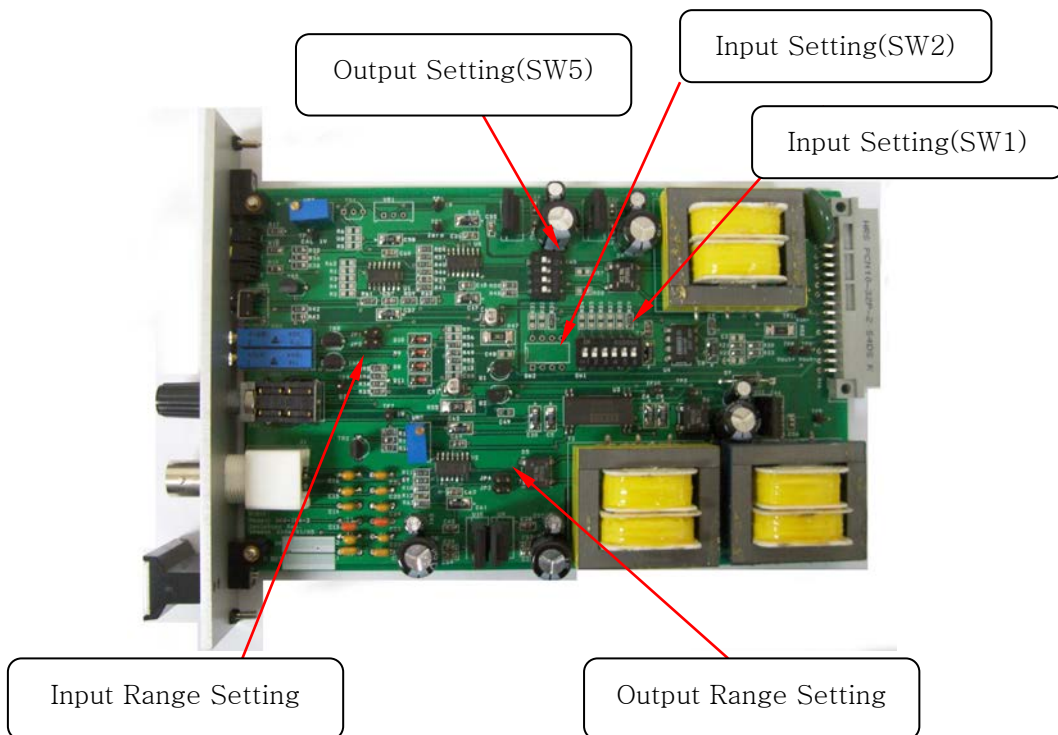
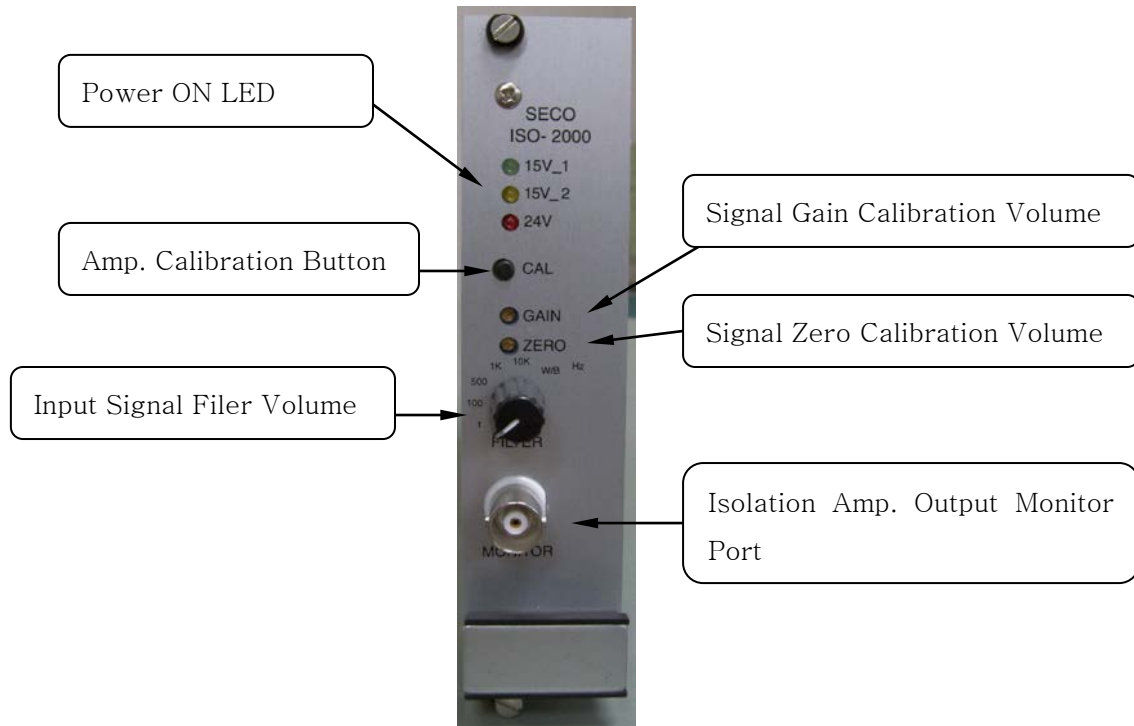


ISOLATION AMPLIFIER (PtW-ISO-3700)

PtW 3700 series

Model No. : PtW-ISO-3700

I . UNIT DESCRIPTION



ISOLATION AMPLIFIER (PtW-ISO-3700)

PtW 3700 series

II. Specifications

Model: SECO ISO2000

Input Specifications

Input	Input Resistance Value
+/- 50V	50K Ω
+/- 20V	20K Ω
+/- 10V	$\geq 1M\Omega$
+/- 5V	
+/- 1V	
+/- 100mV	
+/- 50mV	
+/- 10mV	
0~20mV	500 Ω
4~20mV	

Output Specifications

Output	Load Range
+/- 10V	5K Ω
+/- 0~20mA	$\leq 550\Omega$
4~20mA	$\leq 550\Omega$

Model Type : 19" Sub-Rack Type (3U, 6HP)

Operating Power : Input AC24V, Output +/- 15V, Linear Regulator

Sensor Power : DC24V 100mA, Linear Regulator

Correction Value : Output Voltage + DC 1V

Non-linearity : 0.02%

Frequency Response : 30kHz/-3db

Storage Temperature : -10~50 °C

Humidity : 10~95%RH

Zero, Gain Adjustable

Low Pass Filter : 10, 100, 500, 1k, 10k, W/B Selectable

1 Channel Input

2 Channel Output

1 BNC Monitoring Output (Front)

Color : Aluminum

ISOLATION AMPLIFIER (PtW-ISO-3700)

PtW 3700 series

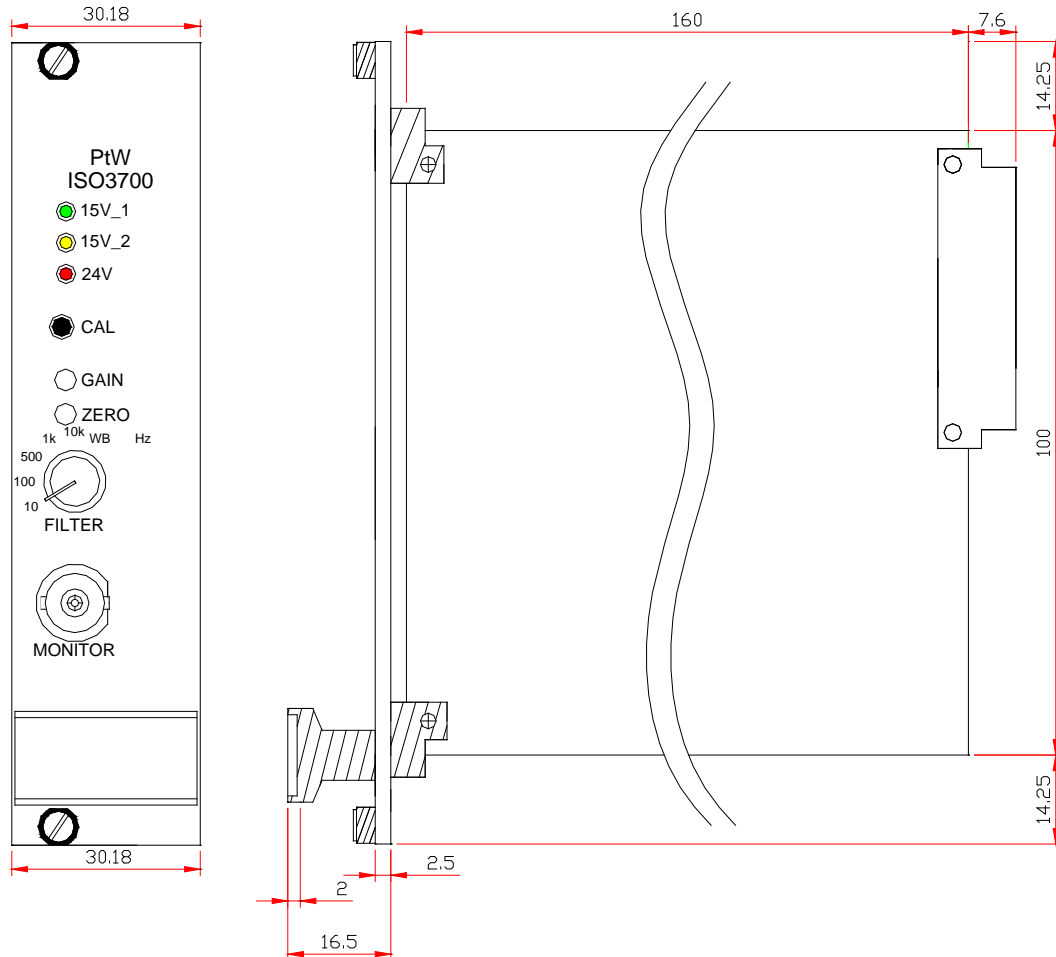
III. CONNECTION

Pin No.	Description
In +	Sensor Input +
In -	GND
Out1+	Isolation Amp. Output1+
Out1-	GND
Out2+	Isolation Amp. Output2+
Out2-	GND
+ 24V	Sensor Power Output DC24V+
0V	GND

ISOLATION AMPLIFIER (PtW-ISO-3700)

PtW 3700 series

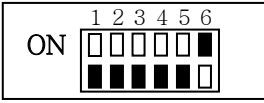
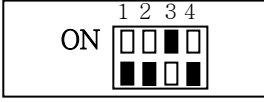
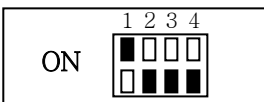
IV. UNIT DIMENSION





ISOLATION AMPLIFIER (PtW-ISO-3700)



PtW 3700 series




V. Address Setting(Default)

Label	Switch	Picture
ISO	SW1	ON 
	SW2	ON 
	SW5	ON 

VI. Isolation Amp. Input/Output Type Setting

Input Type	Signal Range	Picture
Current Input	0~20mA	
	4~20mA	

Output Type	Description	Picture
Current Output	4~20mA	
Voltage Output	0~10V	

Note ♣  Bridge plugged in, ♣  or  Bridge Open

ISOLATION AMPLIFIER (PtW-ISO-3700)

PtW 3700 series

VII. Notes

Head Quarter	Address: 3F, 13, Cheonma-ro 89 beon-gil, Gyeongsangbuk-do, KOREA (791-270)
	Tel : +82-54-231-0019, Fax: +82-70-8275-0019
URL	http://www.ptwss.com
E-mail	jhyoon@ptwss.com